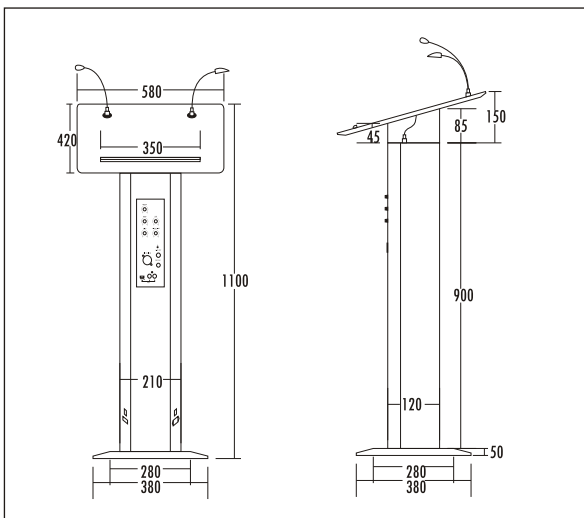




T-6236B

## Descriptions

- \* Lectern is applied to lectures, teaching and conference, built-in 3 sub-woofer loudspeaker, one tweeter, with rated output power 60W, built-in microphone and a small desk lamp.
- \* One gooseneck Mic and one lamp.
- \* Built-in 60W amplifier.
- \* One line input, two microphone inputs, one line output, one record output.
- \* With two VHF handheld wireless microphone with signal transmission distance max 100 meters.



<b>Model</b>	T-6236B
<b>Power supply</b>	~230V-110V 50/60Hz
<b>Power consumption</b>	100W
<b>Frequency response</b>	100~16KHz
<b>Output Power</b>	60W
<b>Input Sensitivity</b>	MIC1: -50dB ± 2dB1.5/680 Ω MIC2: -55dB ± 2dB1.5/600 Ω LINE: -20dB ± 2dB1.5/50 Ω Aux: 1. -20dB ± 2dB1.5/10K Ω 2. -15dB ± 2dB1.5/30K Ω 3. -10dB ± 2dB1.5/50K Ω 4. -3dB ± 2dB1.5/80K Ω
<b>Record Output</b>	1V/0dB
<b>Quality control</b>	Bass: 10dB/Treble: 10dB
<b>Transmission distance</b>	15~30M
<b>Dimensions (L x W x H)</b>	580 x 420 x 1100 mm
<b>Weight</b>	12.26Kg